

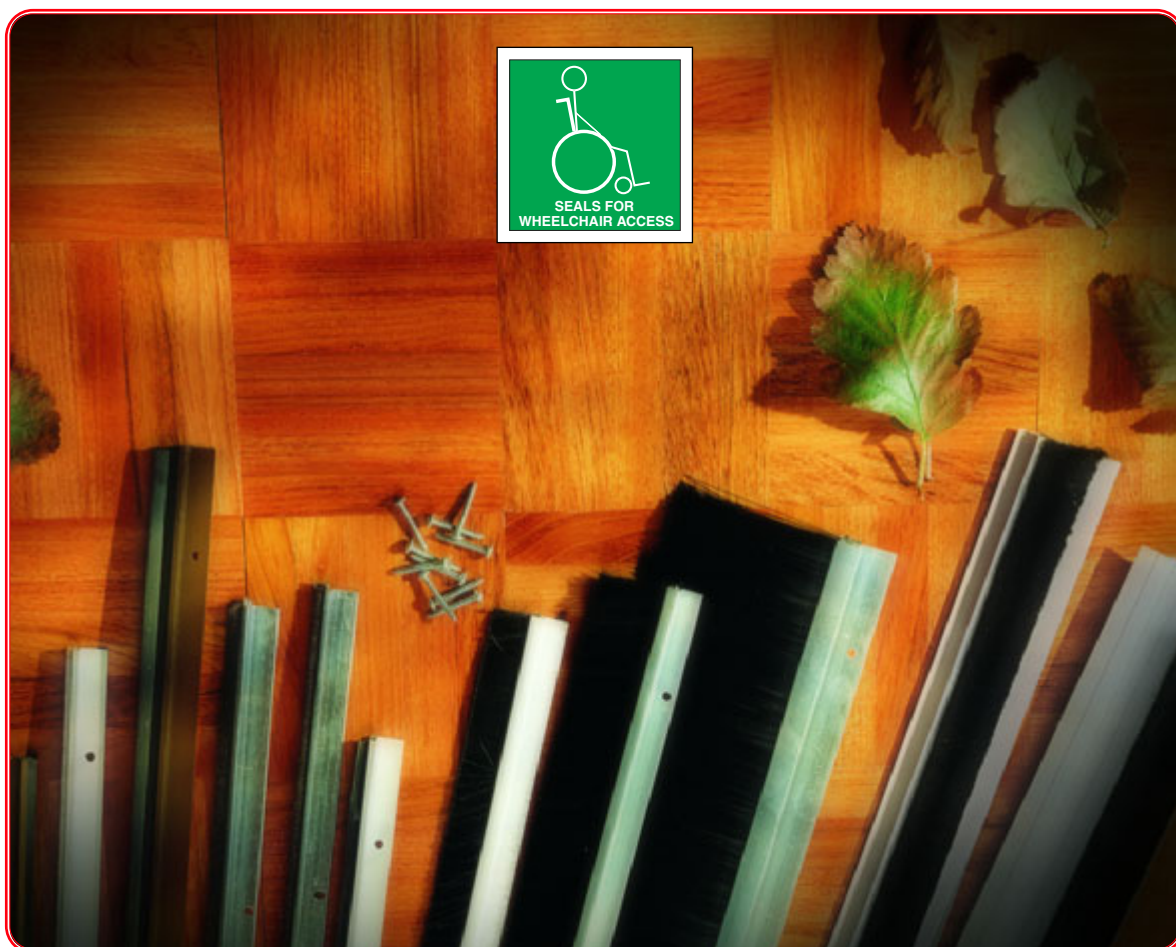


# ENVIROGRAF®



## ACOUSTIC, DRAUGHT, SMOKE, AND WEATHER PROTECTION PRODUCTS

Products 72, 73, 74, 75, 78, 97, 98, 100, 106, 107, 119, 120, & 121 Data Sheet



**SIMPLE AND COST-EFFECTIVE SOLUTIONS, PROVIDING PROTECTION AGAINST DRAUGHTS, NOISE POLLUTION, SMOKE, AND WEATHER**



**PROTECTING PROPERTY  
PROTECTING LIVES**



COPYRIGHT © 2006 ENVIRONMENTAL SEALS LTD

Environmental Seals Ltd, Envirograf House, Barfrestone, Dover, Kent, CT15 7JG, United Kingdom

Phone: +44 (0) 1 304 842 555 – Fax: +44 (0) 1 304 842 666 – Email: sales@envirograf.com – URL: www.envirograf.com

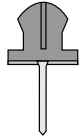
# Introduction to Envirograf®

Environmental Seals Ltd has designed and produced one of the widest ranges of seals, offering effective protection against noise pollution, smoke, weather and draughts. As energy-saving is now an important issue in new building and refurbishment projects, these seals offer a simple and effective solution, whilst also being attractive and cost-effective. The **Envirograf®** range includes rebated and surface-mounted options, weather boards, and a choice of high-tensile PVC threshold seals. **Envirograf®** plastic seals will not burn in the event of a fire, and they do not emit toxic fumes. They are easy to install and will offer the protection you require for many years to come.



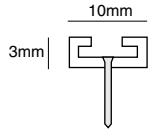
**Dimensions and fixing**

**Seal options**



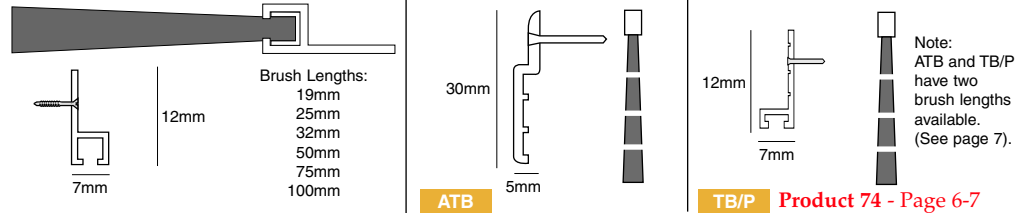
Please see additional specifications chart on back page

**Product 72 - Page 4**

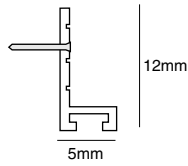


Please see additional specifications chart on back page

**Product 73 - Page 4-6**

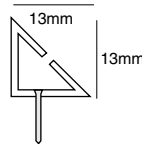


**Product 74 - Page 6-7**



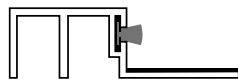
Please see additional specifications chart on back page

**Product 75 - Page 7**



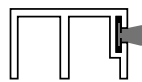
This seal is fixed with self-adhesive backing and secured with panel pins. It is also available with fitted intumescent material, offering 30 minutes of fire protection

**Product 78 - Page 7**



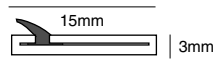
Please see additional specifications chart on back page

**Product 97 - Page 8**



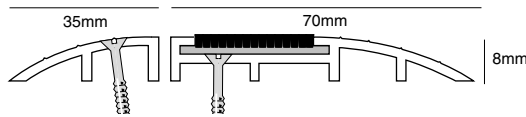
Please see additional specifications chart on back page

**Product 98 - Page 8**

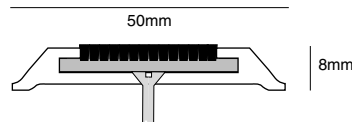


Please see additional specifications chart on back page

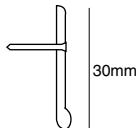
**Product 100 - Page 8**



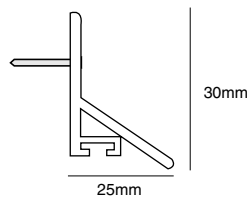
**Product 106 - Page 9**



**Product 107 - Page 10**



**Product 119 - Page 10**



Please see additional specifications chart on back page

**Product 120 - Page 11**



**Product 121 - Page 11**

# The Range

## Product Range

### Product 72: Surface-mounted brush acoustic, draught, smoke, and weather seal



#### Introduction

A flexible surface-mounted brush seal, available in 3mm, 5mm, 7mm, or 10mm sizes and brown, black, grey, or white in colour, with a self-adhesive backing for ease of fixing.

#### Use

Utilise this seal wherever acoustic, draught, smoke, and weather sealing is required.

#### Application

Remove the cover paper from the self-adhesive backing on the seal, then position the seal and fix in place. Finally, secure with the supplied panel pins by fixing at each end and then at 300mm intervals along the length of the seal.

### ORDERING REFERENCES

#### Product 72: Surface-mounted brush acoustic, draught, smoke, and weather seal

Supplied in 1050mm lengths. Other lengths are available, or in continuous roll form by the metre.

Reference	Brush Size
ES/SS3	3mm
ES/SS5	5mm
ES/SS7	7mm
ES/SS10	10mm

Other brush sizes are available.

Add suffix /S for a single door set. Add suffix /D for a double door set.

Add suffix /N for brush without self-adhesive backing. Add suffix /F for brush with a central flexible fin.

Colours available are brown, black, grey, or white.

### Product 73: Rebated aluminium/PVC holder for acoustic, draught, smoke, and weather seals



#### Introduction

A 3mm deep x 10mm wide x 2100mm long holder with self-adhesive backing, in aluminium, or in brown, black, cream, grey, red, or white PVC.

#### Use

Ideally suited to single-action and double-action doors, sliding doors, and windows to give acoustic, draught, smoke, and weather protection, depending on the type of seal chosen. The holders contain the seal types indicated below.

#### Application

Make a rebate in the door or frame to suit the 3mm deep x 10mm wide holder (always add 1mm to the width of the holder for the rebate, to allow for the shrinkage of timber or for paint). Remove the cover paper from the holder's self-adhesive backing, then position the seal and fix. Finally, secure each end with panel pins. The holder can be painted, but NOT the seal fitted to it.

**NB: Ensure that new wood is sealed before adhering the holder.**

**Important: 1-1½mm of the brush or rubber seal is held within the holder. Brush with fin is always ½mm higher than regular brush. Make allowance for this when specifying.**

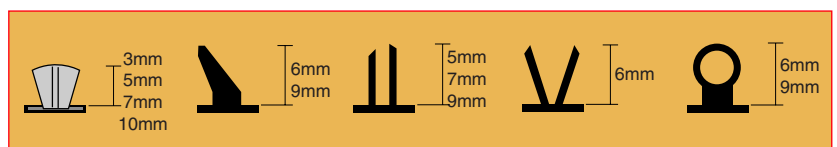
### ORDERING REFERENCES

#### Product 73: Rebated holder with seals for acoustic, draught, smoke, and weather protection.

Supplied in 2100mm lengths.

#### Reference Description

ES/AH	3x10mm Aluminium holder (2100mm)
ES/PH	3x10mm PVC holder (1050 or 2100mm)

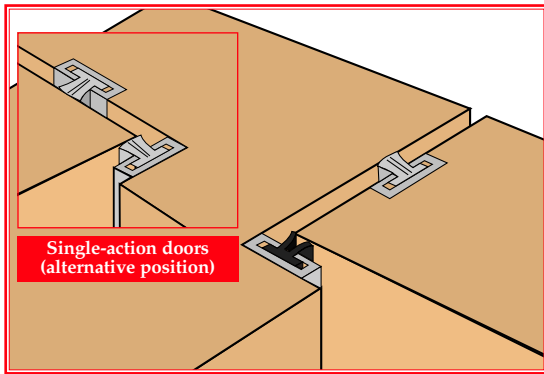


State the holder reference as shown above, and colour if PVC is required, together with the type and size of seal required.

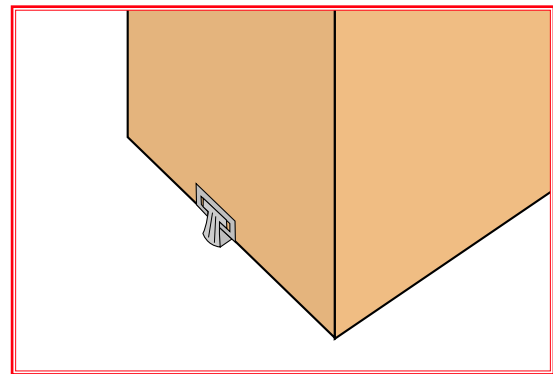
Brush available in 3mm, 5mm, 7mm, or 10mm; Angled rubber available in 6mm or 9mm; Straight rubber available in 5mm, 7mm, or 9mm; V-shaped rubber available in 6mm only; and Tubular rubber available in 6mm or 9mm.

Example: ES/PH (white)/Brush (5mm grey) = ES/PH white PVC holder with 5mm grey brush seal.

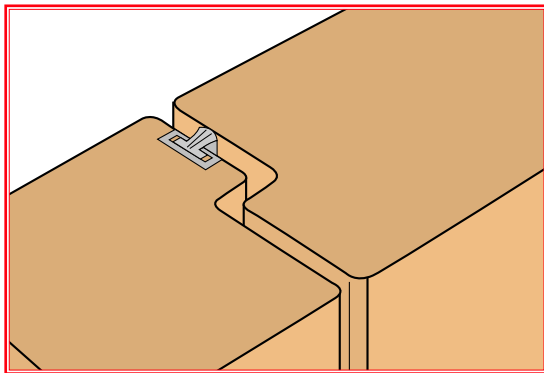
Product 73 - continued



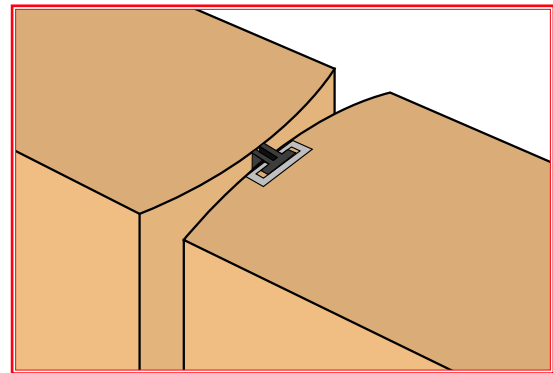
Single-action doors  
(showing alternative positions)



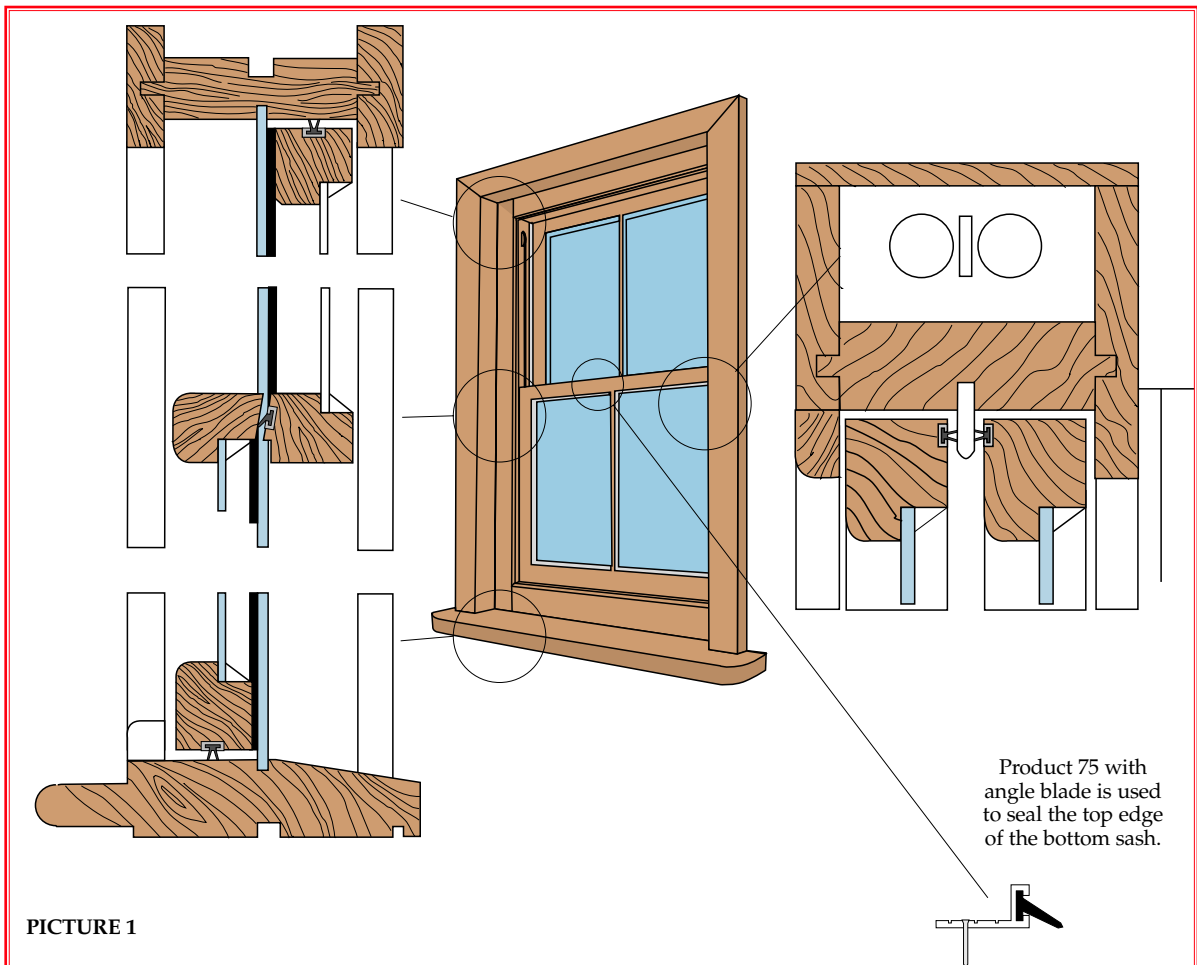
Bottom of door edges



Pairs of single-action doors (rebated meeting stiles)  
(showing alternative position)



Double-action door (un-rebated meeting stiles)  
(showing alternative position)

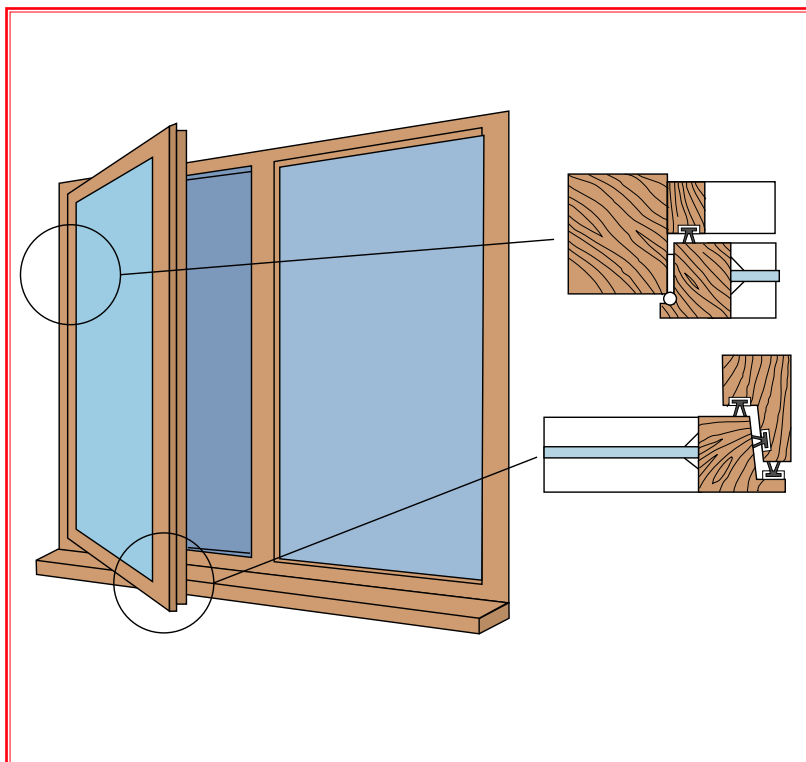


**Seals for windows, sash window** - Use Product 73 for draught, weather or acoustic protection  
**Fixing** - 1. Groove areas where seals will be fitted. In some cases this seal may be surface mounted  
 2. Remove double sided backing, position seal and fix, finish with panel pins supplied  
 (The brush seal can also be used in the holder for sash windows)

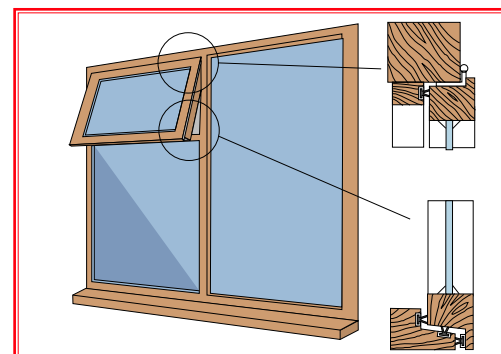
# The Range

## Product Range

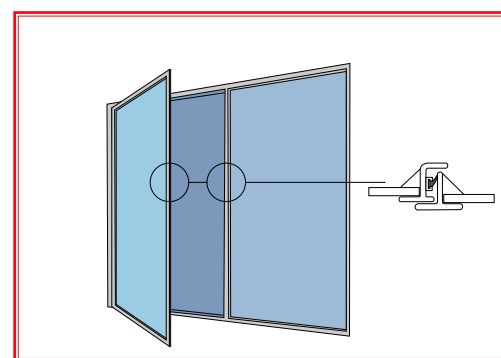
### Product 73 - continued



**Side opener** - use Product 73 for acoustic, draught, or weather protection  
**Fixing** - See picture 1 on page 5



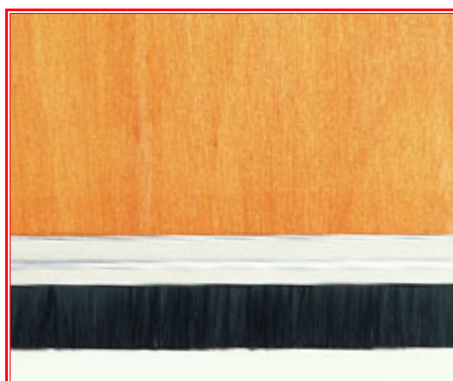
**Top opener** - use Product 73 for draught, weather or acoustic protection  
**Fixing** - See picture 1 on page 5



**Metal window** - use Product 73 for draught, weather or acoustic protection  
**Fixing** - Remove the backing paper, position the seal, and fix inside the frame

### Product 74: Surface-mounted draught, smoke, and weather seals

**PATENTED**



#### Introduction

An aluminium holder finished in black, brown, white, or self-colour, 2000mm in length and fitted with a brush acoustic, draught, smoke, and weather seal. Supplied in brush lengths of 10mm, 15mm, 22mm, 25mm, 30mm, 35mm, 40mm, 45mm, and 50mm.

#### Use

For sealing the bottom of doors, the back edge of sliding doors, between the wall and door, and down the centre of the stiles of doors.

#### Application

Place the seal into position and fix with screws supplied. This holder can be painted, except for the brush seal.

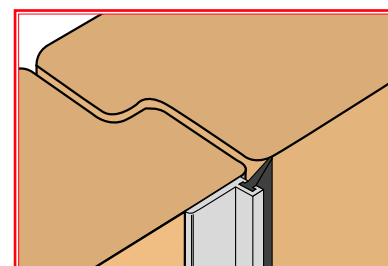
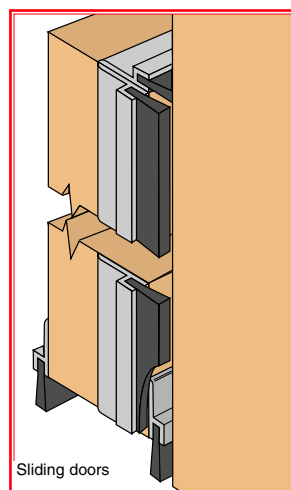
### ORDERING REFERENCES

#### Product 74: Surface-mounted seals

Supplied in 2000mm lengths with variable brush lengths. Colours: black, brown, white, or milled aluminium finish.

ES/TB/10	10mm brush & holder
ES/TB/15	15mm brush & holder
ES/TB/22	22mm brush & holder
ES/TB/25	25mm brush & holder
ES/TB/30	30mm brush & holder
ES/TB/35	35mm brush & holder
ES/TB/40	40mm brush & holder
ES/TB/45	45mm brush & holder
ES/TB/50	50mm brush & holder

FOR OTHER OPTIONS OF PRODUCT 74, SEE PAGE 7

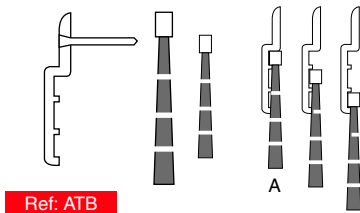


Product 74 can be used for doors with rebated and curved meeting stiles, and for sliding doors.

**Product 74 - continued**

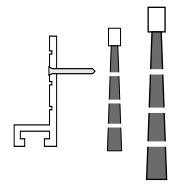
**ADJUSTABLE PLASTIC HOLDER**

**FIXED PLASTIC HOLDER**



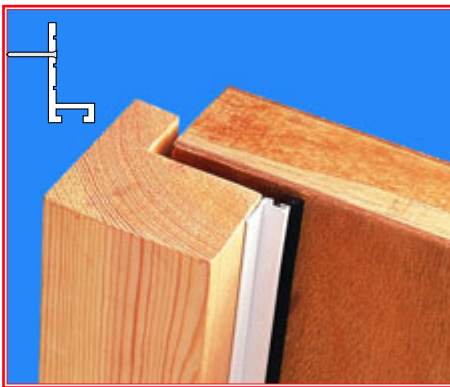
Ref: ATB

These two new options offer a variable length brush, which can be adjusted by pulling the cord at the brush length required. ATB also has the option of raising or lowering the brush section in three positions for correct brush height (see adjacent illustration A). Also available is a fixed plastic holder (see adjacent illustration B).



Ref: TB/P

**Product 75: Surface-mounted brush or neoprene acoustic, draught, smoke, and weather seals**



**Introduction**

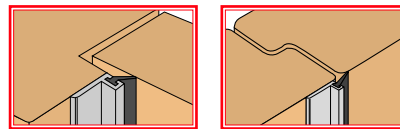
A surface fixed anodised aluminium holder 2100mm long, with a PVC option available in other colours. The holder will accept different kinds of seals: brush, neoprene acoustic tubular, angled, and straight seals (see back page for options).

**Use**

Fitted onto door frames, the centre stiles of doors, around sash windows, and glass doors, to give acoustic, draught, smoke, and weather protection.

**Application**

Position the seal and fix with screws supplied.



Product 75 can be used for both single/double doors and sliding doors.

**ORDERING REFERENCES**

**Product 75: Surface-mounted smoke seals**

Supplied in 2100mm lengths. Colours: black, brown, white, or anodised aluminium finish. See Product 73 for seal types/sizes.

References	Seal type and size
ES/SHB	Holder with 5mm, 7mm, or 10mm brush seal
ES/SHT	Holder with 6mm or 9mm acoustic tubular seal
ES/SHA	Holder with 6mm or 9mm angled seal
ES/SHS	Holder with 5mm, 7mm, or 9mm straight seal
ES/SHV	Holder with 6mm V seal

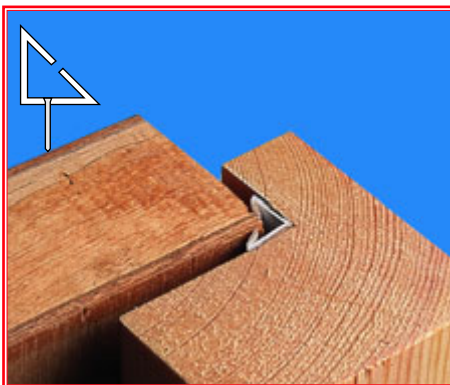
**Important: 1-1½mm of the brush or rubber seal is held within the holder. Brush with fin is always ½mm higher than regular brush. Make allowance for this when specifying.**

**NEW: PRODUCT 75 SEAL HOLDER CAN ALSO BE SUPPLIED AS PVC HOLDER**

**References**

ES/SP/seal type: B (5/7/10mm brush); T (6/9mm tubular); A (6/9mm angled seal); S (5/7/9mm straight seal); V (6mm V seal)

**Product 78: Envirostrip acoustic, draught, smoke, and weather seal**



**Introduction**

A new type of flexible L-shaped angled seal with angled flexible fins, offering an effective acoustic, draught, smoke, and weather seal that is simple to apply. Supplied in 2200mm lengths. A version is also available with intumescent material fitted, to make it a fire and smoke seal offering 30 minutes of fire protection.

**Use**

Used for acoustic, draught, smoke, and weather protection (optional fire version available). Available in black, white, or brown.

**Application**

Position the seal and fix with the double-sided tape supplied. Panel pins can be used for extra fixing security.

**NB: Ensure that new wood is sealed before adhering the seal.**

**ORDERING REFERENCES**

**Product 78: Surface-mounted seal**

Supplied in 2200mm lengths with variable brush lengths. Colours: black, brown, or white.

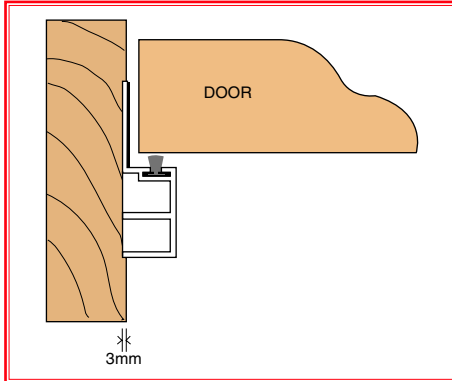
**Reference**

Envirostrip + colour (please state if intumescent fire seal version is required).

# The Range

## Product Range

### Product 97 - Door stop with intumescent fire seal and brush/neoprene smoke seal



#### Introduction

A brown, grey, or white plastic door stop including intumescent fire seal and brush smoke seal, designed to upgrade normal hollow-core doors and to replace existing wooden door stops. Used in conjunction with the threshold seals - Products 106 or 107.

#### Use

Can be used for new installations, as a combined surface-mounted doorstop, brush smoke seal, and intumescent fire seal. Alternatively, the intumescent section can be routed into the door frame lining, with a rebate of 3mm deep x 50mm wide. The standard smoke seal supplied is a 5mm brush. Rubber seals may also be used, as indicated below (all of these seals offer draught and smoke protection). This product should be fitted to the most vulnerable doors (including non-fire-rated doors), such as dining room and kitchen. The smoke seal helps to ensure a fire escape route free from smoke, and the intumescent seals the gap between the door and frame to inhibit the spread of fire. The seal is screwed to the exterior of the door face, and offers weather protection to the flat threshold seal.

#### Application

Remove the backing from the self-adhesive strip on the back edge of the seal, then position and finish with the screws supplied.

### ORDERING REFERENCES

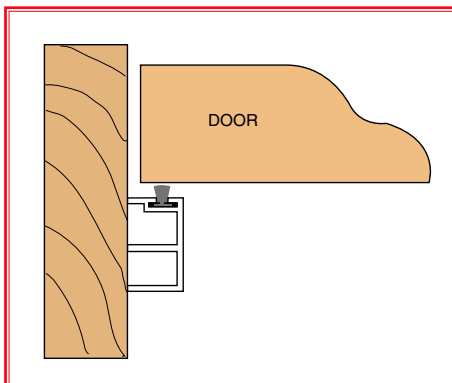
#### Product 97: Door stop with intumescent seal

#### References

DSU/S - Set for single door. DSU/D - Set for double doors.

**Important: 1-1½mm of the brush or rubber seal is held within the holder. Brush with fin is always ½mm higher than regular brush. Make allowance for this when specifying.**

### Product 98: Door stop with acoustic, draught, smoke, and weather seal



#### Introduction

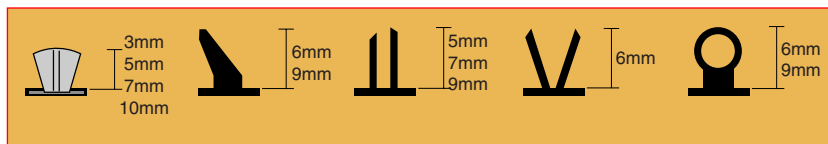
A plastic door stop including either a brush or neoprene acoustic, draught, smoke, or weather seal. Available in black, brown, or white self-colour.

#### Use

Can be utilised as a surface-mounted door stop.

#### Application

Remove the backing paper from the seal, position the seal, and fix. Finish the fixing with panel pins, securing each end and at 300mm intervals.



### ORDERING REFERENCES

#### Product 98: Door Stop with seal

#### References

SDSTOP - Set for single door. DDSTOP - Set for double doors.

**Important: 1-1½mm of the brush or rubber seal is held within the holder. Brush with fin is always ½mm higher than regular brush. Make allowance for this when specifying.**

### Product 100: Acoustic, draught, smoke, and weather seal

**PATENTED**

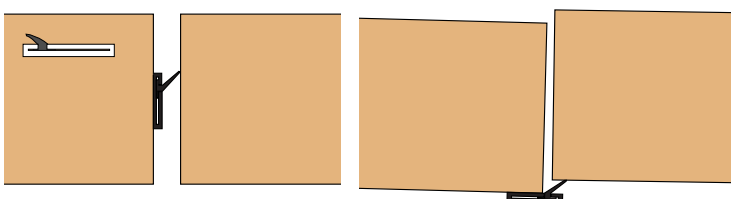
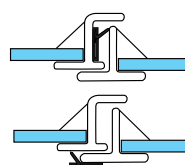


illustration 1

illustration 2



*Also suitable for glass doors and windows. A strong recommended adhesive must be used. Telephone our technical department for the details.*

#### Introduction

A 3x15mm surface-mounted PVC seal with self-adhesive backing, available in black, brown, or white.

#### Use

This seal has been designed for surface mounting for double doors. It can be fitted down the closing door edge (illustration 1) or on the outer edge (illustration 2).

#### Application

Remove the double sided tape backing then position the seal and fix. Finish fixing with panel pins securing each end and then at 300mm intervals.

### ORDERING REFERENCES

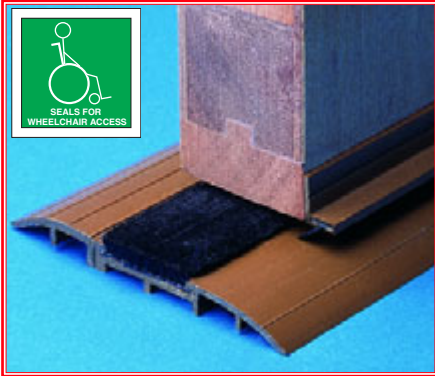
#### Product 100

IS15 (state whether brush or angled seal required)

Supplied in 1050mm and 2100mm lengths.

**Product 106: Weather Threshold Door Seals for Wheelchairs & Ramps**

**PATENTED**



**Introduction**

A high tensile plastic seal comprising two sections which can be used either together or separately. Supplied in black, brown, or grey.

**Use**

When used together, the seals offer protection against weather and sound, where a threshold seal is needed on a flat surface, particularly where there is no weather bar. Designed for interior and exterior use the seal is suitable for domestic/care homes, offices, public buildings and hospitals as well as industrial use in factories & warehouses.

**Application**

Both sections DT and DTE are fixed into position with screws.

DT: Remove the carpet section, drill and screw the seal into position and the clip the carpet back into the holder unit.

DTE: Fix with screws.

**ORDERING REFERENCES**

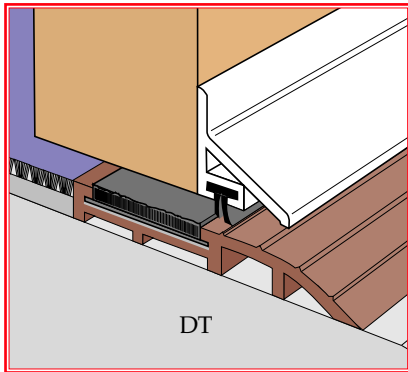
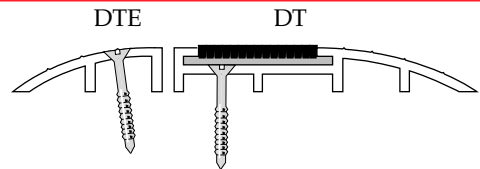
**Product 106: Threshold seal**

Supplied in 1050mm & 2100mm lengths.

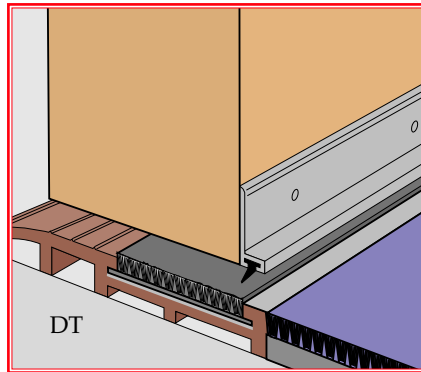
DTE single section

DT single section housing black carpet pile seal

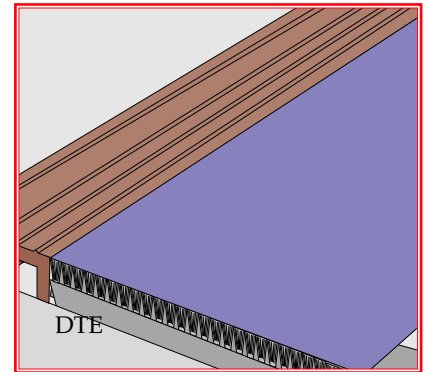
Please state length and colour.



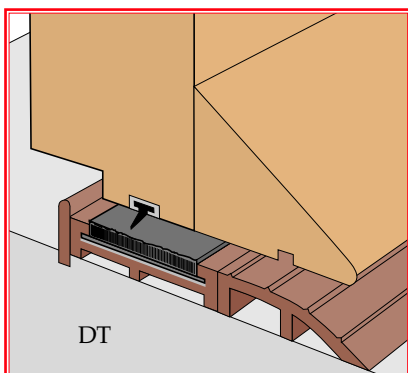
DT and Product 120



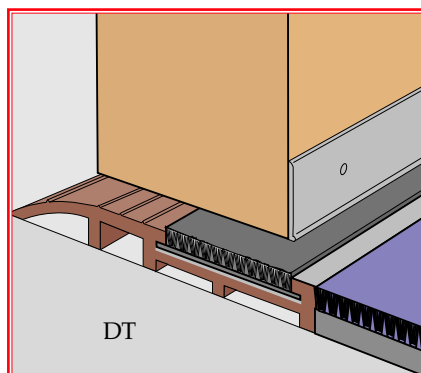
DT and Product 75



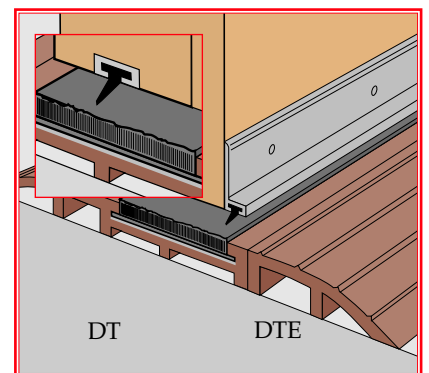
DTE



DT and Product 74 (ATB) rebated into the weather bar section.



DT and Product 119



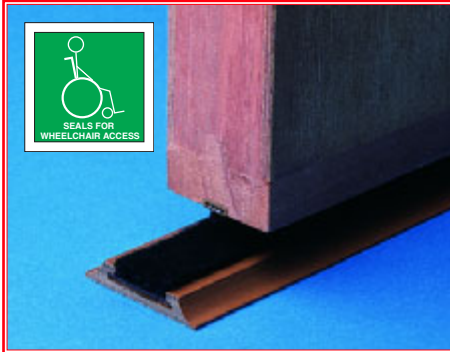
DT, DTE, and Product 74 (Product 73 can also be used)

# The Range

## Product Range

### Product 107: Domestic and Industrial threshold seal

**PATENTED**



#### Introduction

An interior & exterior seal designed for flat thresholds, made of high tensile plastic, making it durable and able to take heavy corridor or entrance traffic such as fork lift trucks and trolleys. Supplied in black, brown, or grey.

#### Use

The seal is easy to fit requiring no rebate, and offers weather, draught and acoustic protection. It is used in conjunction with Envirograf® draught, smoke, and weather seals.

#### Application

Product 107 is fixed into position with screws. Remove the carpet section, drill and screw the seal into position and then clip the carpet back into the holder unit.

### ORDERING REFERENCES

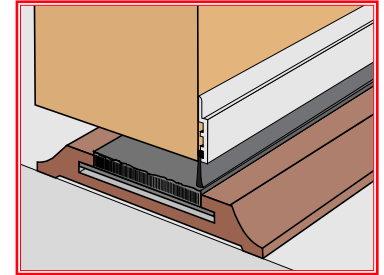
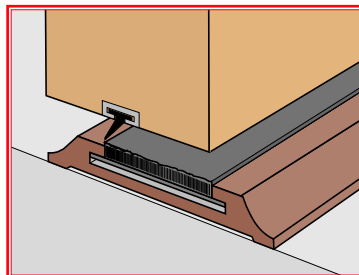
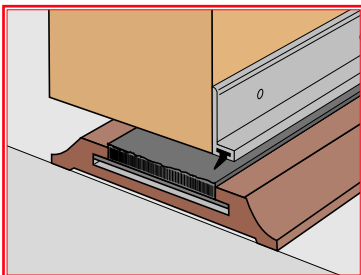
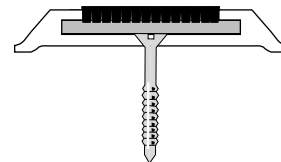
#### Product 107: Domestic and Industrial threshold seal

Supplied in 1050mm & 2100mm lengths.

#### Reference

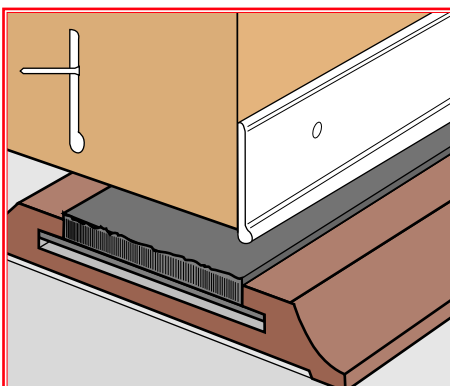
IT

Please state colour and length required.



As shown in illustration profile for Product 106, Product 107 can be used in conjunction of other Envirograf® seals.

### Product 119: Weather bar seal



#### Introduction

A PVC seal used in conjunction with the threshold seals - Products 106 or 107. Supplied in black, brown, or grey.

#### Use

The seal is screwed to interior or exterior faces of the door and offers effective weather and draught protection when used in conjunction with Product 106 or 107.

Product 119, weather bar seal.

### ORDERING REFERENCES

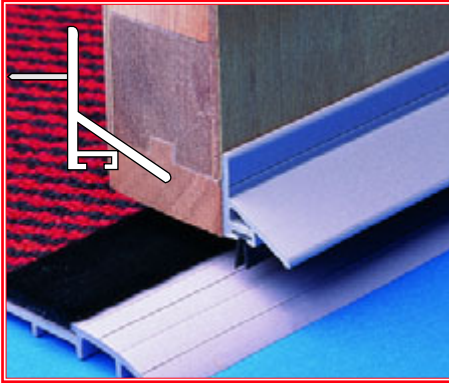
#### Product 119: Weather bar seal

#### Reference

ES/ACS

Please state colour required.

## Product 120: Weather board



Product 120, weather board.

### Introduction

A PVC seal used in conjunction with the threshold seals - Products 106 or 107. Supplied in black, brown, or grey.

### Use

The seal is screwed to the exterior of the door face, and offers weather protection to the flat threshold seal.

### Application

Remove the backing from the self-adhesive strip on the back edge of the seal and position, then finish with the screws supplied.

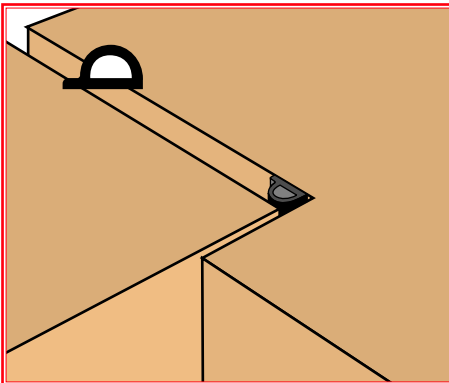
## ORDERING REFERENCES

### Product 120: Weather board

#### Reference

TWB/A - with 6mm or 9mm angled seal. TWB/S - with 5, 7, or 9mm straight blade. TWB/B - 7, 10, 12, or 15mm brush seal

## Product 121: Surface-mounted rubber seals



Single action door - Seals fitted to the top and edge of the rebate of the door frame.

### Introduction

A brown surface-mounted rubber seal with self-adhesive strip on the back.

### Use

For door frames where effective draught and smoke protection is required.

### Application

Remove the backing from self-adhesive strip, then position the seal and fix. Finish fixing with panel pins, securing at each end and at 300mm intervals.

## ORDERING REFERENCES

### Product 121: Surface-mounted seals

#### Reference



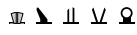
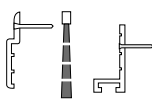
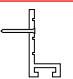
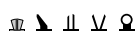


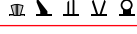

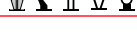


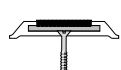



P Strip

Supplied in 1050mm and 2100mm lengths

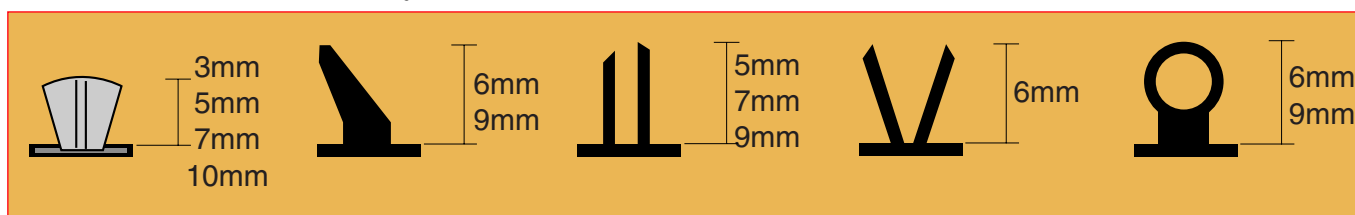
# The Range

## Product Specifications

### Acoustic, draught, smoke, and weather seals

PRODUCT NUMBER	PROFILE AND SEALS TO FIT	APPLICATION DETAILS	REBATE NEEDED	PROFILE AND SEAL COLOURS	USE FOR DOOR TYPES			USE FOR WINDOWS
					SINGLE	DOUBLE	SLIDING	
72		An independent draught and smoke seal with self-adhesive backing and panel pins	None required	Brush in black, brown, grey, and white	Yes	No	No	Yes
73	 	Rebated or surface-mounted to door frames or windows	3x10mm	Aluminium metal PVC: black, brown, cream, grey, red, and white	Yes	Yes	Yes	Yes
74		For door threshold protection and the back edge of sliding doors, between the door and wall and down centre stiles	None required	Aluminium metal or sprayed black, brown, or white PVC: black, brown, and white	Yes	Yes	Yes	Yes
75	 	Fitted to door frames, centre stiles, around sash windows and glass doors	None required	Anodised alloy PVC: black, brown, and white	Yes	Yes	Yes	Yes
78		Fitted to door frames and casement windows	None required	PVC: black, brown, and white	Yes	Yes	Yes	Yes
97	 	Door frames	3x50mm (optional)	PVC: brown, grey, and white	Yes	Yes	Yes	No
98	 	Door frames	None required	PVC: brown, grey and white	Yes	Yes	Yes	No
100		3x15mm surface-mounted seal for doors, door frames, and windows	None required	PVC: wide choice of colours available (see price list)	No	Yes	No	Yes
106		Interior and exterior flat-surface thresholds. Ideal for care homes, etc	None required	PVC: black, brown, and grey Black pile in seal	Yes	Yes	No	No
107		Interior and exterior flat-surface thresholds. Suited to domestic and industrial use	None required	PVC: black, brown, and grey Black pile in seal	Yes	Yes	No	No
119		Used in conjunction with 106 & 107 for weather protection	None required	PVC: black, brown, and grey	Yes	Yes	No	No
120		Used in conjunction with 106 & 107 for weather protection	None required	PVC: black, brown, and grey	Yes	Yes	No	No
121		Surface-mounted for doors and windows	None required	White self-colour	Yes	Yes	Yes	Yes

### Profiles and seals: summary of use



Ideal for acoustic, draught, weather & smoke protection for doors and windows

Ideal for single-action doors and casement windows, draught, acoustic, weather & smoke protection

For double doors, draught, weather acoustic & smoke protection

Ideal for single-action doors. Windows, acoustic, draught, weather & smoke protection

Ideal for cushion, acoustic, draught, weather & smoke protection